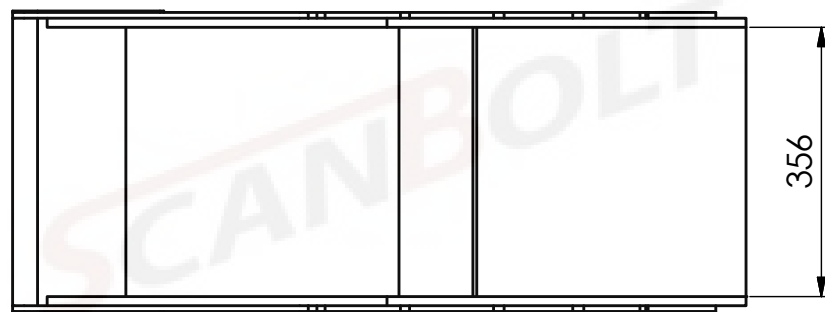
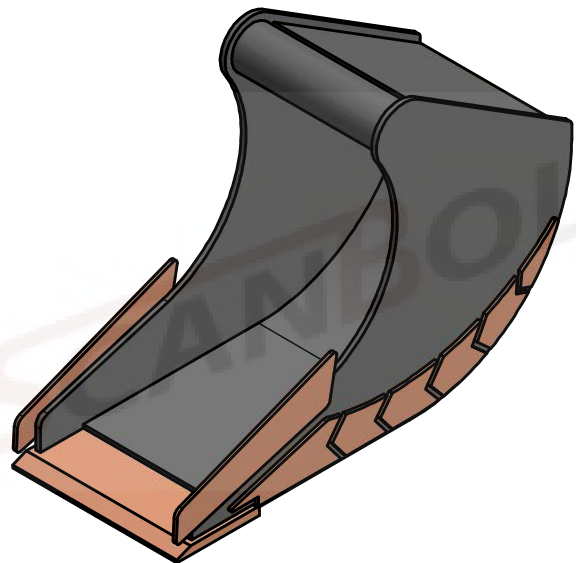


8 7 6 5 4 3 2 1

D

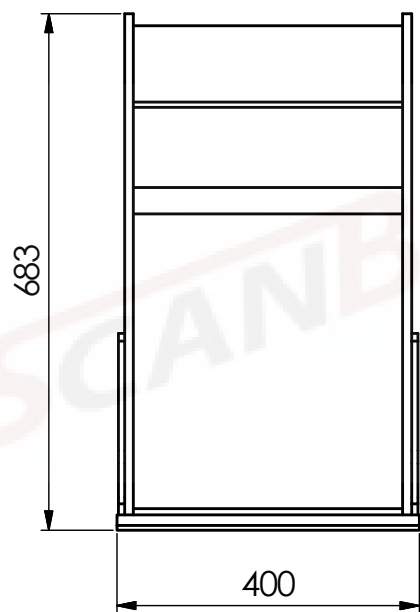
D



356

C

C

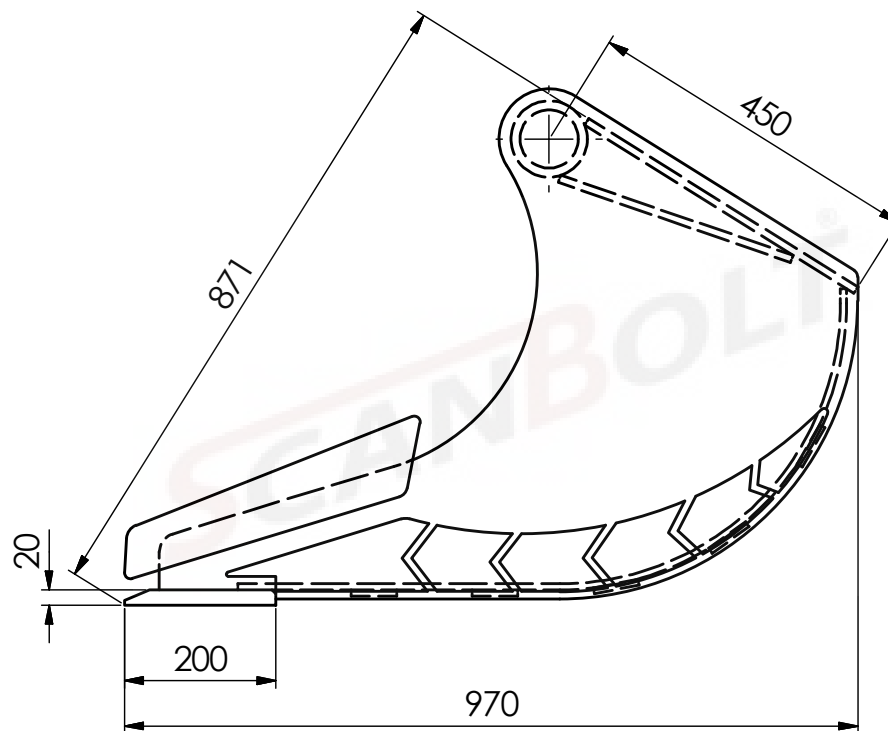


683

400

B

B



20

200

871

450

970

A

A

MATERIAL SPECIFICATION

ST52.3
EN8D
HB 400
HB 450
CASTALLOY STEEL

SCANBOLT®

DESCRIPTION	40CM DIGGING BUCKET
MACHINE CLASS	7.5-10 TON
WEIGHT	142.6 Kg
HEAPED CAPACITY	139.1 LITERS

8 7 6 5 4 3 2 1